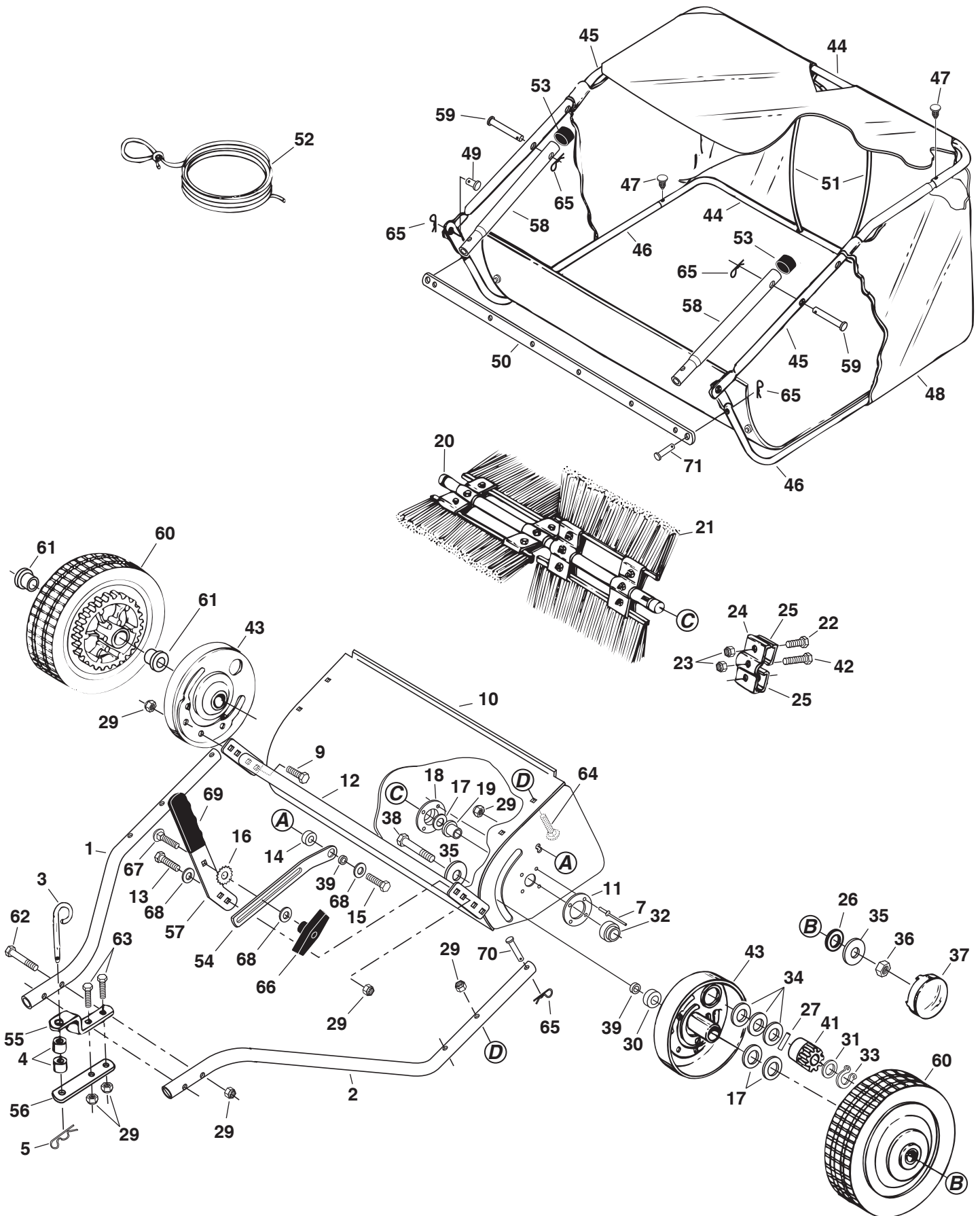


REPAIR PARTS FOR MODEL 45-03311 38" LAWSWEEPER



REPAIR PARTS FOR MODEL 45-03311 38" LAWSWEEPER

REF	PART NO.	QTY	DESCRIPTION	REF	PART NO.	QTY	DESCRIPTION
1	40612	1	Hitch Tube, R.H.	39	23400	3	Bushing, Pivot
2	40613	1	Hitch Tube, L.H.	40	43886	1	Gear, Pinion R.H. (not shown)
3	23353	1	Pin, Hitch	41	43885	1	Gear, Pinion L.H.
4	23368	2	Tube, Hitch Spacer	42	43661	4	Bolt, Hex 1/4-20 x 1" Lg.
5	43343	1	Hairpin Cotter, 1/8" #4	43	64578	2	Ass'y, Dust Cover
7	C-9M5732	8	Rivet, Pop	44	48469	2	Tube, Hopper Frame (Rear)
9	43182	4	Bolt, Hex 5/16-18 x 3/4"	45	48466	2	Tube, Upper Hopper Frame (Front)
10	65578	1	Sweeper Housing Assembly	46	48727	2	Tube, Lower Hopper Frame (Front)
11	23336	2	Washer, Special	47	48402	4	Plastic Plug
12	68208	1	Height Adjustment Tube Assembly	48	48403	1	Hopper Bag
13	43063	2	Bolt, Hex 5/16-18 x 1"	49	48366	2	Clevis Pin, 3/8" x 1/2"
14	25408	1	Bushing, Spacer	50	23352	1	Strap, Bag Frame
15	43840	1	Bolt, Hex 5/16-18 x 1-1/4"	51	43926	2	Rod, Hopper Support
16	44732	1	Washer, Star	52	43737	1	Hopper Rope
17	R19212113	6	Washer, 5/8" SAE	53	44481	2	Cap, Vinyl
18	1629-56	2	Retainer, Dust Cover	54	24979	1	Strap, Height Adjustment
19	44910	2	Bushing, Brush Shaft	55	23687	1	Bracket, Hitch
20	24085	1	Brush Shaft	56	24192	1	Bracket, Hitch (Straight)
21	43905	4	Brush	57	26243	1	Handle, Height Adjustment
22	43012	8	Bolt, Hex 1/4-20 x 3/4" Lg.	58	40620	2	Tube, Bag Arm
23	47189	12	Nut, Nylock 1/4-20	59	43513	2	Pin, Clevis 3/8" x 3"
24	23580	4	Retainer, Brush (Double)	60	49946	2	Wheel Ass'y. (with bearings)
25	23581	8	Retainer, Brush (Single)	61	741-0249	4	Wheel Bearing
26	44125	2	Washer, Flat .625" x 1.0" x .03"	62	44292	2	Bolt, Hex 5/16-18 x 2-1/2" Lg.
27	47046	2	Dowel Pin (Drive)	63	44180	2	Bolt, Hex 5/16-18 x 2" Lg.
29	47810	15	Nut, Nylock 5/16-18	64	43681	4	Bolt, Carriage 5/16-18 x 1-1/2"
30	48702	2	Spacer, .41 I.D". x 1-1/4" O.D. x .6"	65	43055	8	Hairpin Cotter, 3/32" #3
31	44006	2	Washer, Flat .849" x .598" x .025"	66	43720	1	Knob, Wing 5/16-18 Thread
32	46219	2	Spacer, .78 I.D". x 1-1/4" O.D. x .5"	67	44326	1	Bolt, Carriage 5/16-18 x 1"
33	1650-21	2	Ring, Retaining .594"	68	43081	4	Washer, Flat 5/16" Std. Wrt.
34	40001	6	Washer, Shim 1-1/8" x .594" x .025"	69	43943	1	Grip, Height Adjust
35	141	4	Washer, Flat 1-1/2" x .375" x .062"	70	46867	2	Clevis Pin, 1/4" x 1-3/4" Lg.
36	1038	2	Nut, Nylock Jam 3/8-24 Thread	71	48365	2	Clevis Pin, 1/4" x 1-1/8"
37	2674-32	2	Hub Cap		40634	1	Owners Manual
38	44961	2	Bolt, Hex 3/8-24 x 3-1/4" Lg.				